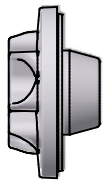
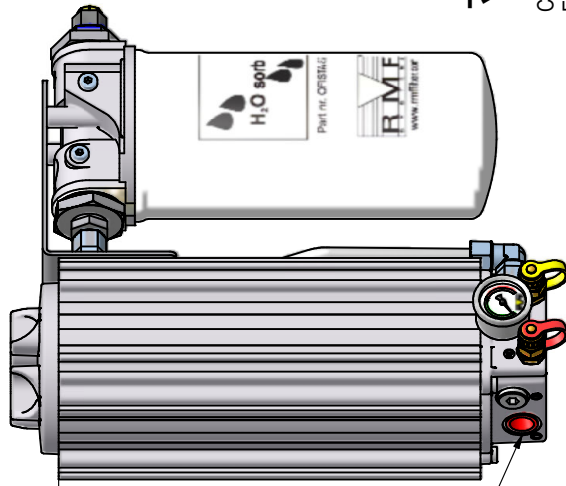


MODEL (1 : 4)



MINIMUM CLEARANCE
FOR ELEMENT REMOVAL

400mm



2-OULET

40MM

CLEARANCE FOR
ELEMENT REMOVAL

Pos	Qty	Description	Material	Remarks
2	2	OUTLET	G1/2"-BSP	Female
1	1	INLET	G1/4"-BSP	Female

BRUNNEN
 S Y S T E M S
 Website : WWW.RMFFILTER.COM

Designed by M.W.
 Designed date 25-3-2008
 Design state WorkInProgress
 Checked by
 Checked date
 PROJECTION
 DIMENSIONAL TOLERANCE ACCORDING TO ISO 2768H / NEN 2285
 SCALE : 1:1

Revision Date Description Name
 DOCUMENT TITLE
 RMF FILTERUNIT BPUW1A30HB000A
 RMF-BY PASS UNIT

ARTICLE NUMBER 9317811
 DRAWING NUMBER A3--9-294-12093
 REVISION

